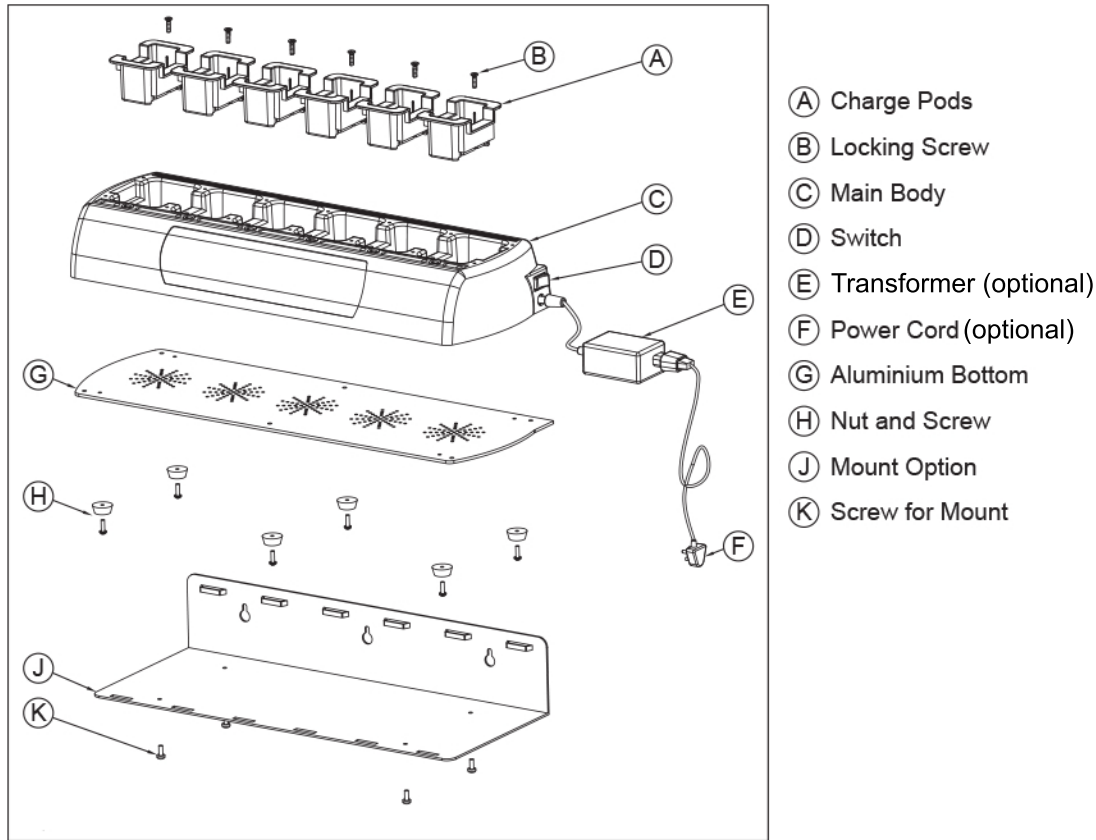


# Klein

**G-SHOT**  
MULTI-UNIT CHARGER



## Charging Procedure

1. Install the suitable battery adaptor in the charger unit. The battery adaptor **MUST** be locked into place using the Locking Screw, to ensure good electrical contact.
2. Connect the AC adaptor to the charger jack on the rear of the unit.
3. Connect the AC adaptor to an AC outlet.
4. The LED indication will be orange for a few seconds during unit diagnostic, and then off when the unit is ready for operation.  
(Note that the LED will remain orange, until a battery adaptor is properly installed.)
5. Insert the device into the charger pod.
6. The LED indicator will be orange during battery diagnostic.
7. The LED indicator will be red during charging.
8. The LED indicator will be green and blinking when the charged capacity is over 95%.
9. The LED indicator will be green when the charging is completed.
10. User may remove the battery when the LED indicator is green (steady or blinking).